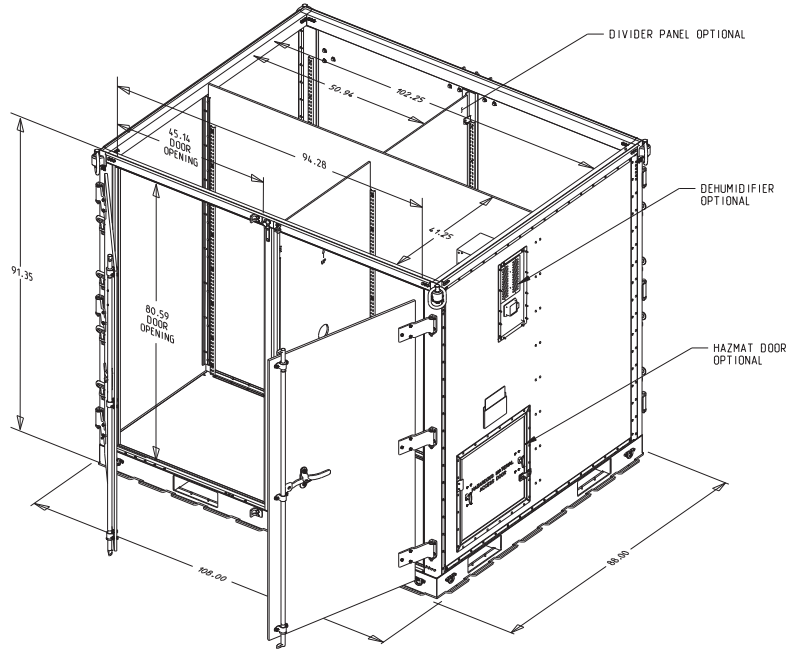


# ISU® 90 4-DOOR

## Internal Airlift/ Helicopter Slingable Container Unit (ISU®)



ISU® 90 4-DOOR



One example of an ISU® container configuration (ISU®'s can be customized to meet your specifications)

P/N	NSN	COLOR	GSA	DLA
*56102-000	8145-01-465-3621	GREEN	•	•
*56202-000	8145-01-465-4187	TAN	•	•
*56302-000	8145-01-465-4581	BLACK	•	•
*56402-000	8145-01-465-4816	GRAY	•	
*56602-000	8145-01-465-5052	WHITE	•	
DIMENSIONS				
EXTERIOR	108"W X 88"L X 91.35"H			
INTERIOR	400 cu.ft.			
WEIGHT	PAYLOAD CAPACITY	MAXIMUM GROSS WEIGHT		
1,720 lbs.	10,000 lbs.	11,720 lbs.		



\*Above part numbers are for containers only; no accessories



ISU® 90 4-Door with optional removable divider, shelves, and trays installed

- See Military Certifications starting on page 2.1.4
- See Optional Kits starting on page 2.5.1
- See Optional Accessories starting on page 2.6.1

### FEATURES

- Four doors, two doors on each 108" side
- Four-way forkliftable
- Intermodal - transportable by air, land, sea or rail
- Stackable two-high when loaded with up to 10,000 lbs. or empty
- Compatible with standard military transport vehicles/equipment 2.5-ton and 5-ton - FMTV, LMTV, HEMTT, Flatrack, CROP, etc.
- Base pre-drilled for optional caster set
- Ready for use with low or high-speed mobility wheel set
- All aluminum extruded, mechanically fastened pallet base certified not to damage aircraft roller systems
- Winching rings located at every lower corner
- Retractable folding steps for easy roof access for sling hookup

For more information or for a single part number for a customized ISU® Container, call 800-355-2015